

| | | | | | | | |
|------|-----------------|----------------------------|---------------|-------------|------|--------|--------|
| A | INITIAL RELEASE | UNITS: MILLIMETERS | 03/28/05 | | | | |
| REV. | SCALE: NTS | TOLERANCES: DIMENSIONAL ±1 | ANGULAR ±0.5° | PROJECTION: | DATE | DRN.BY | CHK.BY |



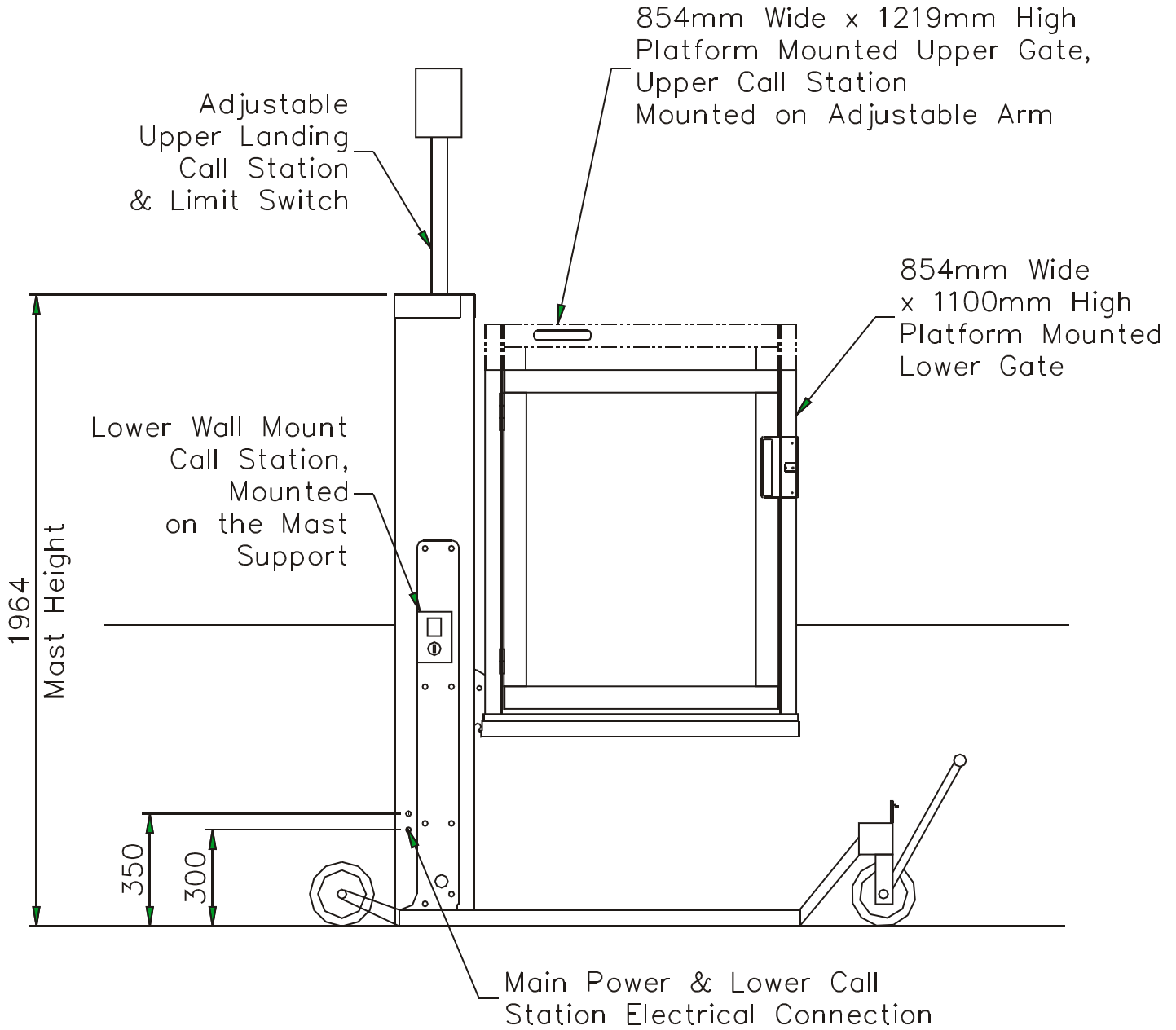
GARAVENTA ACCESSIBILITY
 7505 - 134A STREET
 SURREY, BC, CANADA V3W 7B3
 PH: ++1 604 594 0422
 FAX: ++1 604 594 9915
 http://www.garaventa.ca

OPAL APPROVAL DOCUMENT 2005
 PORTABLE PROMO UNIT
 SOUTHAMPTON HAMSHIRE

DOLPHIN ACCESS LIFTS

28206-AY-A

⚡ DEDICATED CIRCUIT SUPPLIED BY OTHERS:
 220-240 VAC, 1 PHASE, 50Hz
 Conduit and devices to suit local codes and
 a recommended 20 amp. dedicated circuit.



| | | | | | |
|------|-----------------|----------------------------|---------------|-------------|--------------------|
| A | INITIAL RELEASE | UNITS: MILLIMETERS | 03/28/05 | | |
| REV. | SCALE: NTS | TOLERANCES: DIMENSIONAL ±1 | ANGULAR ±0.5° | PROJECTION: | DATE DRN.BY CHK.BY |



GARAVENTA ACCESSIBILITY
 7505 - 134A STREET
 SURREY, BC, CANADA V3W 7B3
 PH: ++1 604 594 0422
 FAX: ++1 604 594 9915
<http://www.garaventa.ca>

OPAL APPROVAL DOCUMENT 2005
 PORTABLE PROMO UNIT
 SOUTHAMPTON HAMSHIRE

PAGE 2 OF 2

DOLPHIN ACCESS LIFTS

28206-AY-A